



# RNS-0600 Nugget Ice Machine

## Model

RNS-0608A

RNS-0609W



RNS-0608A Nugget Ice Machine on Servend SV-250 Dispenser

Model RNS-0608A Nugget Ice Machine on B-420 Bin

## Features

- Bite sized nugget with 90% ice content offers one of the best ice to water ratios for maximum cooling and minimal drink dilution
- Up to 613 lbs. (278 kg) of daily ice production
- Perfect for beverage applications, dispensing, smoothies, and cold therapy
- Can be paired with a Servend beverage dispenser for an unbeatable soft drink experience
- Continuous production means quieter operation with no noisy harvest cycles
- Evaporator is designed for maximum quality and operating life

**COMMERCIAL WARRANTY**

ICE MAKER	COMPRESSOR
3	2
YEAR PARTS	YEAR LABOR
	5
	YEAR PARTS 2 YEAR LABOR

## Specifications

**BTU per hour:**  
5,200 (average)  
7,700 (peak)

**Compressor:**  
Nominal rating: 1 HP

**Refrigerant:**  
R-404A

- Operating Limits:**
- Ambient Temperature Range: 50°-110°F (10°-43°C)
  - Water Temperature Range: 37°-90°F (3°-32°C)
  - Water Pressure Ice Maker Water In:  
Min. 14 psi (96.5 kPa)  
Max. 80 psi (551.1 kPa)

## Ice Machine Electric

115/60/1 standard. (230/50/1 also available.)

**Minimum circuit ampacity:**

Air-Cooled: 8.2

Water-Cooled: 15.4

**Maximum fuse size:**

Air-Cooled: 15 amps

Water-Cooled: 25 amps

HACR-type circuit breakers can be used in place of fuses.

## Ice Shape

Nugget ice consists of small pieces ranging from 3/8" to 1/2" in width and length on average. Offers a 90% ice to water ratio with a soft, chewable texture while still providing maximum cooling effect and great dispensibility.



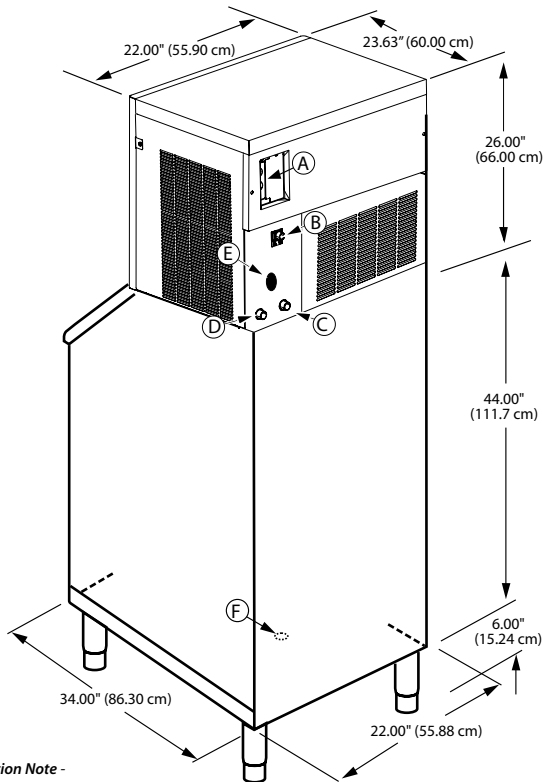
Ice shown actual size





# RNS-0600 Nugget Ice Machine

## RNS-0600 on B-420 Storage Bin



**Installation Note** -  
Minimum installation clearance:  
Top/sides: 8" (20.32 cm),  
Back: 5" (12.70 cm).

**Dispenser Note** -  
Verify with the dispenser manufacturer  
that the correct agitator and deflector kit  
for nugget ice dispensing is included with  
your dispenser purchase.

- (A) Electrical Entrance (2) Options
- (B) 3/8" F.P.T. Condenser Inlet (water-cooled only)
- (C) 1/2" M.P.T. Condenser Drain (water-cooled only)
- (D) 1/2" M.P.T. Ice Making Water Drain
- (E) 3/8" F.P.T. Ice Making Water Inlet
- (F) 3/4" Bin Drain

## Space-Saving Designs



### RNS-0600 on B-420

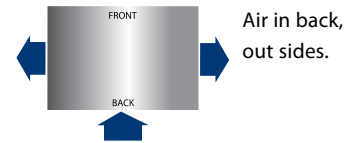
Height	76.00" 193.00 cm
Width	22.00" 55.90 cm
Depth	34.00" 86.36 cm
Bin Storage	310 lbs 140.7 kg

Height includes adjustable bin legs  
6.00" to 7.00", (15.24 to 17.78 cm)  
set at 6.00" (15.24 cm).

## Accessories

K-00365 30" B Style Bin Adapter

## Air Flow Overhead View



	Model	Ice Shape	Ice Production 24 Hours		Power kWh/100 lbs @ 90°Air/70°F	Water Usage (100 lbs./45.4 kgs of Ice)		ENERGY STAR®
			70° Air/50°F Water 21° Air/10° C Water	90° Air/70°F Water 32° Air/21° C Water		Potable Water	Condenser Water	
AIR-COOLED	RNS-608A	Nugget	Standard	Standard	6.36	12 gal	—	★
						45.4 L	—	★
WATER-COOLED	RNS-0609W	Nugget	Standard	Standard	4.67	12 gal	118 gal	NA
						45.4 L	447 L	NA