



M-45 • M-90 Countertop Ice Dispensers

M-45 • M-90 Countertop Ice Dispensers



M-90



M-45

Servend's ice dispensers feature a simple design, upfront serviceability and quality construction ensures long equipment life.

Standard Features

- Attractive, eye-catching "Ice" graphics.
- 45 to 90 lbs. ice storage.
- Patented Rocking Chute™ simplifies ice dispensing and storage.
- Patented paddle wheel ice dispenser technology maximizes counter space and allows more ice to be dispensed from the bin.

Warranty

- Dispenser: 2-year limited parts and 1-year limited labor.



2100 Future Drive
Sellersburg, IN 47172 USA

Tel: 812.246.7000
Fax: 812.246.7024

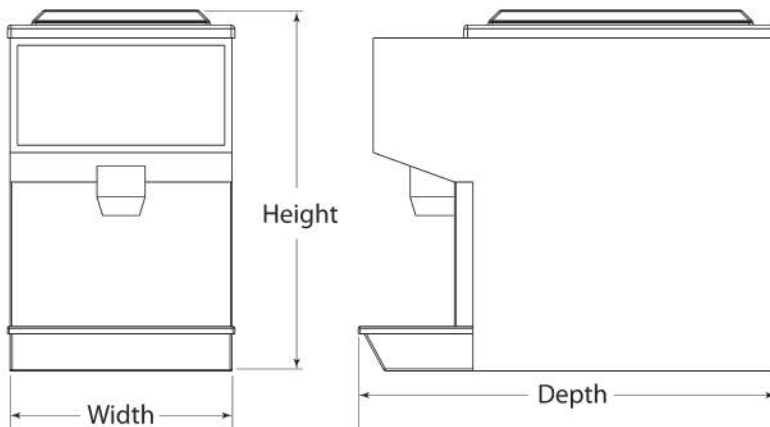
www.manitowocbeverage.com/us



Specifications

	M-45	M-90
Standard Features	Stainless steel exterior cabinet with merchandiser and "Ice" sign.	
Shipping Weights	67 lbs. / 30.5 kgs.	116 lbs. / 52.8 kgs.
Ice Storage Capacity	Up to 45 lbs. / 20 kgs.	Up to 90 lbs. / 41 kgs.
Electrical Requirements	120V/60Hz/2.5 FLA, 220V/50Hz/1 also available.	
Drain	Two 3/4" (1.91 cm) PVC drain fittings. One pre-installed 3/4" (1.91 cm) PVC (N.P.T.) drain fitting extends from drain pan; a second extends from bin.	
Ice Cube Compatibility	Dispenses any size cube ice up to one inch square and some compacted flake forms. Flake ice is not recommended.	
Service	Motor, drain and electrical connections are front serviceable.	
Options	Lighted merchandiser, 4" (10.17 cm) leg kit, extended splash panel and push button ice dispense.	

M-45 and M-90 ice dispensers will not accommodate a top-mounted ice machine. Manual fill only. Beverage valves are not available on M-45 and M-90 ice dispensers.



	M-45	M-90
Width	15.00"	15.00"
	38.10 cm	38.10 cm
Depth	28.00"	28.00"
	71.10 cm	71.10 cm
Height	24.25"	32.00"
	61.60 cm	81.30 cm

3064C ©2010 Servend 7/10 Continuing product improvement may necessitate change of specifications without notice.